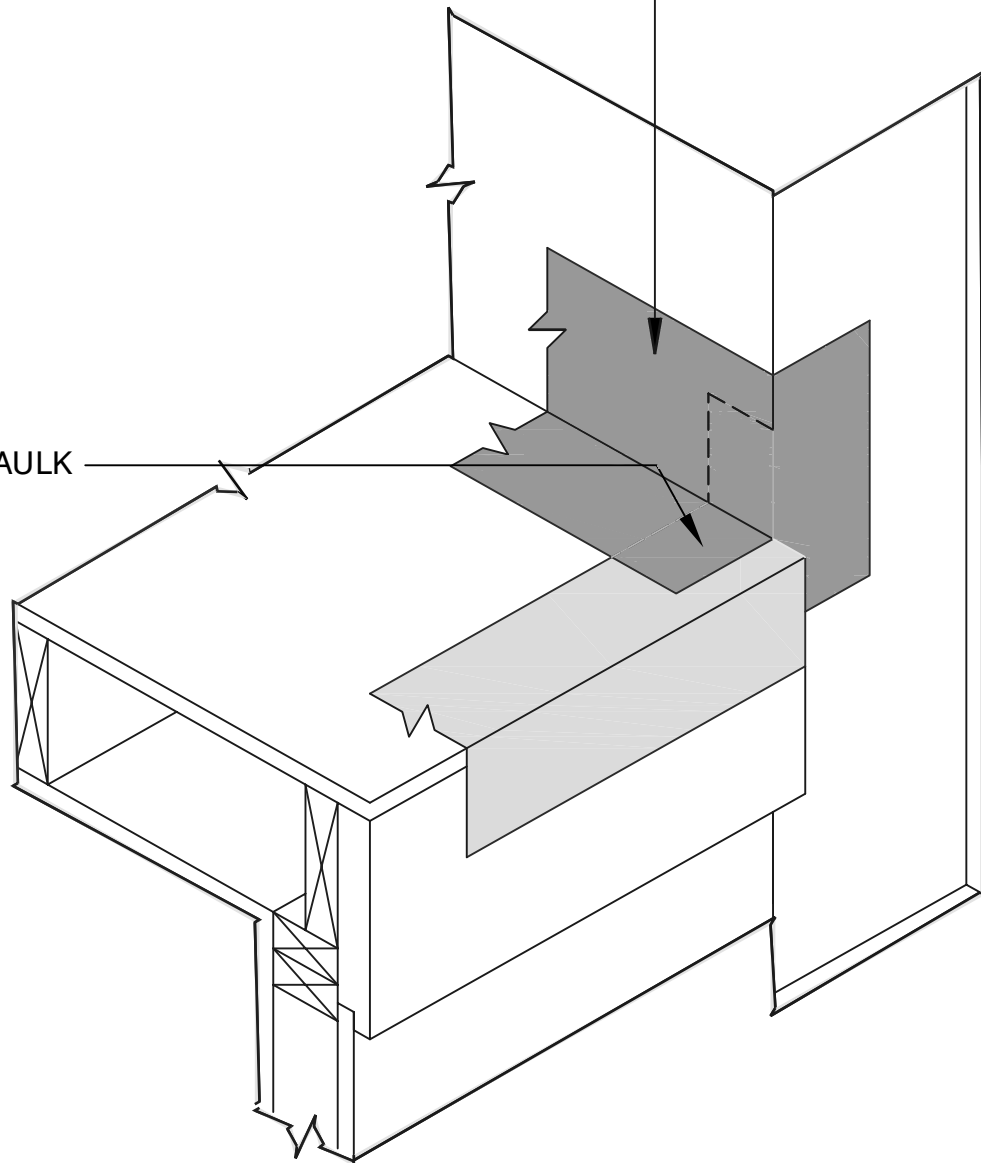


FOLD
DOWN

SEALANT LAP
URETHANE CAULK

MINIMUM 6" VERTICAL
MINIMUM 4" HORIZONTAL



DECK TERMINATION INTO OUTSIDE WALL

DIVISION 07 18 13
Pedestrian Traffic Coatings

SCALE : NTS

MER-KO[®]
by westcoat

4007 Lockridge Street • San Diego, CA • 92102 • 800.537.7203 • mer-ko.com



REV. 11/2018 TC